

SYNTIRO DYNAMICS

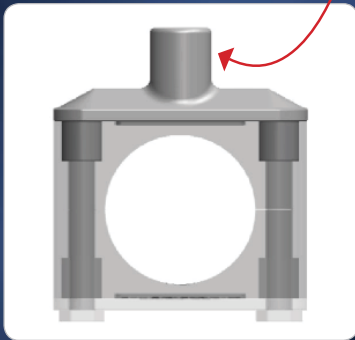
NEW
PRODUCT

SHIELDED ALL THREAD ROD, FIGURE SATR'S 3/8"-16, 1/2"-13 & 5/8"-10 CONNECTIONS

SAVES TIME DURING TEDIOUS LINE
ELEVATION ADJUSTMENT & CENTERLINE TUNING
COST SAVER OVER STAINLESS STEEL TUBE SHIELDS

IDEAL FOR SUPPORTSG HANGERS, LIGHTING, STRUT, SENSORS
OR ANY ROD MOUNTED DEVICES

Elongated threaded connection enhances the hanger's elevation and or centerline adjustment up to 1 Inch



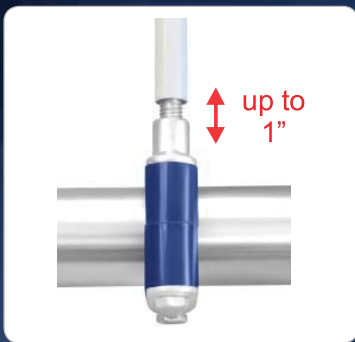
Shielded All Thread Rods

**** TIME SAVER ****

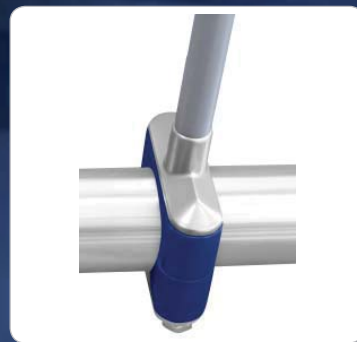
3/8"-16, 1/2"-13 & 5/8"-10 Connections



The all thread rod is shielded with an FDA-approved LDPE Sheath. Rod's are available in Zinc Plated or Stainless Steel materials. There are no openings between the shield and the rod. Sold in 6' lengths; custom lengths are available. The LDPE shield can be stripped back with a utility knife.



Combining the hanger's elongated threaded section with the ability to cut the LDPE Shield to size allows the installer to adjust the hanger's elevation up to 1"



A tight fit creates a seamless seal. The installer may choose to apply a layer of silicone caulk at the hanger to LDPE shielded connection.

SHIELDED ALL THREAD ROD, FIGURE SATR'S 3/8"-16, 1/2"-13 & 5/8"-10 CONNECTIONS



Eliminate Field Welds with Syntiro's Four-Holed Threaded Nut Plate, Shielded Rod & Round Lock Nuts



Shielded All Treaded Rods SATR's allow for quick and accurate centerline adjustment and setting

- CLEANABLE & DRAINABLE Design
- Facilitates ELEVATION Adjustment & CENTERLINE tuning
- LDPE Sleeve ends can be cut with a utility knife, exposing threads required to hang hangers or lighting. LDPE is pliable and does not crack
- The tight-fit LDPE shield encases the lower cost zinc-coated all thread rod
- A cost-saving alternative to the commonly installed stainless steel tube sleeves. The SATR also eliminates the facing of the stainless tube ends



SATR's saves the installer time during the tedious adjustment of the hanger's elevation

PART NUMBER	SHIELDED ALL THREAD ROD DESCRIPTION	MAX ELEVATION ADJUSTMENT	TUBE SIZE
SROD-038-ZINC-LDPE-GRAY	Shielded Rod, 3/8"-16 Thread, 6 Feet Long, Zinc, LDPE Sleeve, Gray	1/2"	1/2" to 2"
SROD-050-ZINC-LDPE-GRAY	Shielded Rod, 1/2"-13 Thread, 6 Feet Long, Zinc, LDPE Sleeve, Gray	3/4"	2 1/2" to 3"
SROD-063-ZINC-LDPE-GRAY	Shielded Rod, 5/8"-11, Thread, 6 Feet Long, Zinc, LDPE Sleeve, Gray	1"	4"

For stainless steel rods, substitute ZINC with 304 or 316