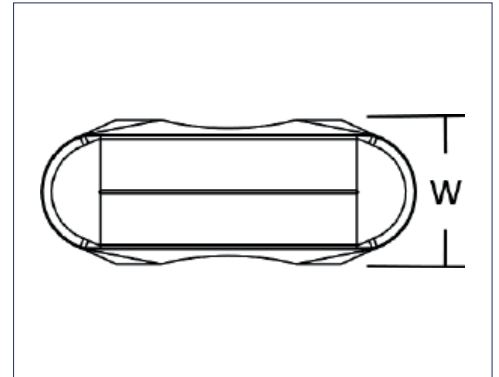
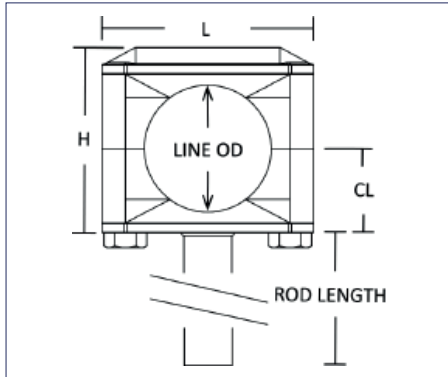


# BASE MOUNT ROD MOUNT - CSDBMR

Hanger's rod is welded to mounting plate or structure (rod lengths can be supplied per specification)



for 316 hardware substitute 304 with 316

Tube Size	Line OD	H	L	W	Rod (stock lgth)		Part Number (anchor/tight fit)	Part Number (guide/loose fit)
					Length	OD		
1/4"	0.25	1.70	1.93	0.75	6	0.38	CSDBM6R0.25T304ZP	CSDBM6R0.25T304ZG
3/8"	0.38	1.70	1.93	0.75	6	0.38	CSDBM6R0.38T304ZP	CSDBM6R0.38T304ZG
1/2"	0.50	1.70	1.93	0.75	6	0.38	CSDBM6R0.50T304ZP	CSDBM6R0.50T304ZG
3/4"	0.75	1.70	1.93	0.75	6	0.38	CSDBM6R0.75T304ZP	CSDBM6R0.75T304ZG
1"	1.00	1.70	1.93	0.75	6	0.38	CSDBM6R1.0T304ZP	CSDBM6R1.0T304ZG
1 1/2"	1.50	2.19	2.49	0.75	6	0.38	CSDBM6R1.5T304ZP	CSDBM6R1.5T304ZG
2"	2.00	2.69	2.99	0.88	6	0.38	CSDBM6R2.0T304ZP	CSDBM6R2.0T304ZG
2 1/2"	2.50	3.19	3.36	0.88	6	0.50	CSDBM6R2.5T304ZP	CSDBM6R2.5T304ZG
3"	3.00	3.97	3.99	0.88	6	0.50	CSDBM6R3.0T304ZP	CSDBM6R3.0T304ZG
Tube Size	Line OD	H	L	W	Rod (stock lgth)		Part Number (anchor/tight fit)	Part Number (guide/loose fit)
					Length	OD		
1/2"	0.840	1.70	1.93	0.75	6	0.38	CSDBM6R0.50P304ZP	CSDBM6R0.50P304ZG
3/4"	1.050	1.70	1.93	0.75	6	0.38	CSDBM6R0.75P304ZP	CSDBM6R0.75P304ZG
1"	1.315	2.19	2.49	0.75	6	0.38	CSDBM6R1.0P304ZP	CSDBM6R1.0P304ZG
1 1/4"	1.660	2.69	2.99	0.88	6	0.38	CSDBM6R1.25P304ZP	CSDBM6R1.25P304ZG
1 1/2"	1.900	2.69	2.99	0.88	6	0.38	CSDBM6R1.5P304ZP	CSDBM6R1.5P304ZG
2"	2.375	3.19	3.36	0.88	6	0.50	CSDBM6R2.0P304ZP	CSDBM6R2.0P304ZG
2 1/2"	2.875	3.63	3.74	0.88	6	0.50	CSDBM6R2.5P304ZP	CSDBM6R2.5P304ZG

**APPLICATIONS:**

- Cleanrooms and mechanical areas; not limited to: biotech, pharmaceutical, food processing, beverage, dairy, cosmetic, chemical, water treatment, and semi-conductor industries.
- Low flow & low pressure systems with moderate vibration: WFI, SIP, CIP, process, utility & instrument lines, WFI, SIP, CIP, process, utilities & instrument lines

**SIZES:**

- Support Range: 1/4" - 6" Tube and 1/2" - 6" Pipe for Copper and Conduits including PVC Coated Pipe contact Syntiro
- Tight fit Anchors and loose fit Guides are offered

**FEATURES:**

- Reduced OD allows hanger to be encased under the insulation's jacket
- ZERO PUDDLE Silicones inserts raised geometry facilitates drainage of liquids on vertical/riser lines creating maintenance uptime.
- There are no exposed threads or openings

**MATERIALS:**

- 304 and 316 stainless steels
- ZERO PUDDLE inserts are FDA grade silicone rubber

**SPECIFICATIONS:**

- Intermittent temperatures from -40F to 320F
- Continuous temperatures from -20F to 302F - Contact Syntiro with continuous application's environmental details

**BENEFITS:**

- Guides loose fit allow the line to freely expand and contract during thermal cycling, preventing undo stress to welds
- Hanger's threaded section is elongated, increasing the housings elevation adjustment aiding in slope alignment
- Insulation Envelope "IE": Reduced OD allows hanger to be buried under the insulation jacket
- 1.0" of insulation: 1/2" Tube (0.5") to 3" Copper (3.125")
- 1.5" of insulation: 3" Pipe (3.5") to 4" Pipe (4.50")
- 2.0" of insulation: 6" Tube (6.0") to 6" Pipe (6.625")
- There are no exposed threads or openings in hardware plates
- All plates are cleaned polished
- Hanger threads match MSS 69 rod OD requirement

Refer to [www.syntirocorp.com](http://www.syntirocorp.com) or call Syntiro for most up to date information

**ZERO PUDDLE INSERT**



**INSULATION ENVELOPE "IE"**

