

APPLICATIONS:

- Cleanrooms and mechanical areas; not limited to: biotech, pharmaceutical, food processing, beverage, dairy, cosmetic, chemical, water treatment, and semi-conductor industries.
- Low flow & low pressure systems with moderate vibration: WFI, SIP, CIP, process, utility & instrument lines, WFI, SIP, CIP, process, utilities & instrument lines

SIZES:

- Support Range: 1/4" - 6" Tube and 1/2" - 6" Pipe for Copper and Conduits including PVC Coated Pipe contact Syntiro
- Tight fit Anchors and loose fit Guides are offered

FEATURES:

- Reduced OD allows hanger to be encased under the insulation's jacket
- ZERO PUDDLE Silicones inserts raised geometry facilitates drainage of liquids on vertical/riser lines creating maintenance uptime.
- There are no exposed threads or openings

MATERIALS:

- 304 and 316 stainless steels
- ZERO PUDDLE inserts are FDA grade silicone rubber

SPECIFICATIONS:

- Intermittent temperatures from -40F to 320F
- Continuous temperatures from -20F to 302F - Contact Syntiro with continuous application's environmental details

BENEFITS:

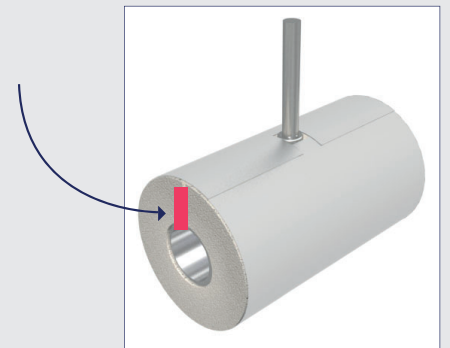
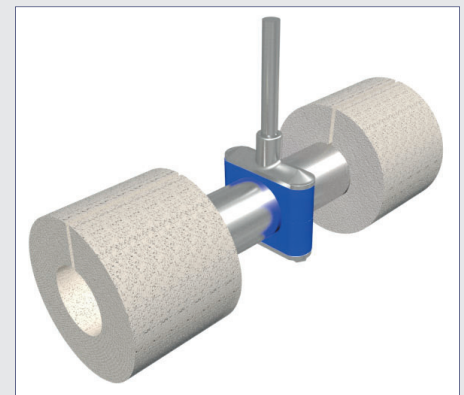
- Guides loose fit allow the line to freely expand and contract during thermal cycling, preventing undo stress to welds
- Hanger's threaded section is elongated, increasing the housings elevation adjustment aiding in slope alignment
- Insulation Envelope "IE": Reduced OD allows hanger to be buried under the insulation jacket
- 1.0" of insulation: 1/2" Tube (0.5") to 3" Copper (3.125")
- 1.5" of insulation: 3" Pipe (3.5") to 4" Pipe (4.50")
- 2.0" of insulation: 6" Tube (6.0") to 6" Pipe (6.625")
- There are no exposed threads or openings in hardware plates
- All plates are cleaned polished
- Hanger threads match MSS 69 rod OD requirement

Refer to www.syntirocorp.com or call Syntiro for most up to date information

ZERO PUDDLE INSERT

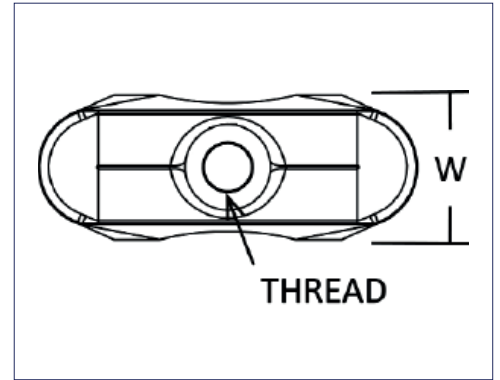
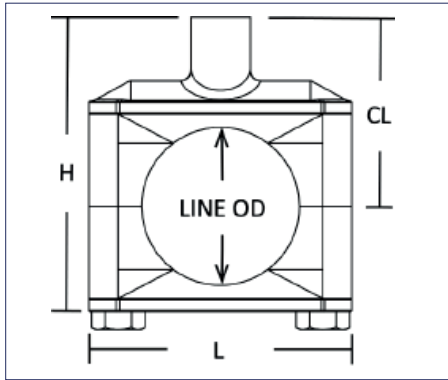


INSULATION ENVELOPE "IE"



HANG MOUNT - CSDH

FOR ATTACHMENT: Use Syntiro's Shielded Rod, solid rod with threaded end(s) or all thread rod



for 316 hardware substitute 304 with 316

Tube Size	Line OD	H	L	W	CL	Thread	Part Number (anchor/tight fit)	Part Number (guide/loose fit)
1/4"	0.25	2.29	1.93	0.75	0.63	3/8"-16	CSDH0.25T304ZP	CSDH0.25T304ZG
3/8"	0.38	2.29	1.93	0.75	0.63	3/8"-16	CSDH0.38T304ZP	CSDH0.38T304ZG
1/2"	0.50	2.29	1.93	0.75	0.63	3/8"-16	CSDH0.50T304ZP	CSDH0.50T304ZG
3/4"	0.75	2.29	1.93	0.75	0.63	3/8"-16	CSDH0.75T304ZP	CSDH0.75T304ZG
1"	1.00	2.29	1.93	0.75	0.63	3/8"-16	CSDH1.0T304ZP	CSDH1.0T304ZG
1 1/2"	1.50	2.79	2.49	0.75	0.97	3/8"-16	CSDH1.5T304ZP	CSDH1.5T304ZG
2"	2.00	3.29	2.99	0.88	1.25	3/8"-16	CSDH2.0T304ZP	CSDH2.0T304ZG
2 1/2"	2.50	4.43	3.36	0.88	1.47	1/2"-13	CSDH2.5T304ZP	CSDH2.5T304ZG
3"	3.00	5.18	3.99	0.88	1.81	1/2"-13	CSDH3.0T304ZP	CSDH3.0T304ZG
4"	4.00	6.24	5.10	1.00	2.28	5/8"-11	CSDH4.0T304ZP	CSDH4.0T304ZG
6"	6.00	7.44	7.26	1.25	4.11	3/4"-10	CSDH6.0T304ZP	CSDH6.0T304ZG
Pipe Size	Line OD	H	L	W	CL	Thread	Part Number (anchor/tight fit)	Part Number (guide/loose fit)
1/2"	0.840	2.29	1.93	0.75	0.63	3/8"-16	CSDH0.50P304ZP	CSDH0.50P304ZG
3/4"	1.050	2.29	1.93	0.75	0.63	3/8"-16	CSDH0.75P304ZP	CSDH0.75P304ZG
1"	1.315	2.79	2.49	0.75	0.97	3/8"-16	CSDH1.0P304ZP	CSDH1.0P304ZG
1 1/4"	1.660	3.29	2.99	0.88	1.25	3/8"-16	CSDH1.25P304ZP	CSDH1.25P304ZG
1 1/2"	1.900	3.29	2.99	0.88	1.25	3/8"-16	CSDH1.5P304ZP	CSDH1.5P304ZG
2"	2.375	5.59	3.36	0.88	1.47	1/2"-13	CSDH2.0P304ZP	CSDH2.0P304ZG
2 1/2"	2.875	6.02	3.74	0.88	1.66	1/2"-13	CSDH2.5P304ZP	CSDH2.5P304ZG
3"	3.500	6.68	4.48	1.00	2.03	1/2"-13	CSDH3.0P304ZP	CSDH3.0P304ZG
4"	4.500	6.24	5.10	1.00	2.50	5/8"-11	CSDH4.0P304ZP	CSDH4.0P304ZG
6"	6.625	7.94	7.73	1.25	4.35	3/4"-10	CSDH6.0P304ZP	CSDH6.0T304ZG