



**Syntiro
Dynamics**

CSD SERIES

TUBE & PIPE HANGERS NEW ZERO PUDDLE INSERTS

APPLICATIONS:

- Cleanrooms and mechanical areas; not limited to: biotech, pharmaceutical, food processing, beverage, dairy, cosmetic, chemical, water treatment, and semi-conductor industries.
- Low flow & low pressure systems with moderate vibration: WFI, SIP, CIP, process, utility & instrument lines, WFI, SIP, CIP, process, utilities & instrument lines

SIZES:

- Support Range: 1/4" - 6" Tube and 1/2" - 6" Pipe for Copper and Conduits including PVC Coated Pipe contact Syntiro
- Tight fit Anchors and loose fit Guides are offered

FEATURES:

- Reduced OD allows hanger to be encased under the insulation's jacket
- ZERO PUDDLE Silicones inserts raised geometry facilitates drainage of liquids on vertical/riser lines creating maintenance uptime.
- There are no exposed threads or openings

MATERIALS:

- 304 and 316 stainless steels
- ZERO PUDDLE inserts are FDA grade silicone rubber

SPECIFICATIONS:

- Intermittent temperatures from -40F to 320F
- Continuous temperatures from -20F to 302F - Contact Syntiro with continuous application's environmental details

BENEFITS:

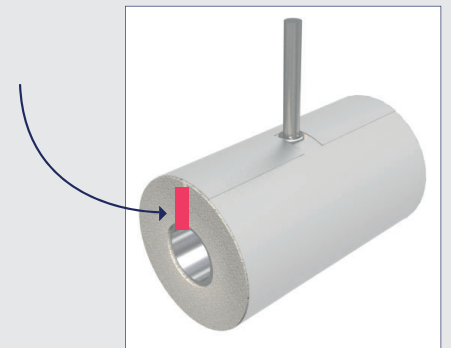
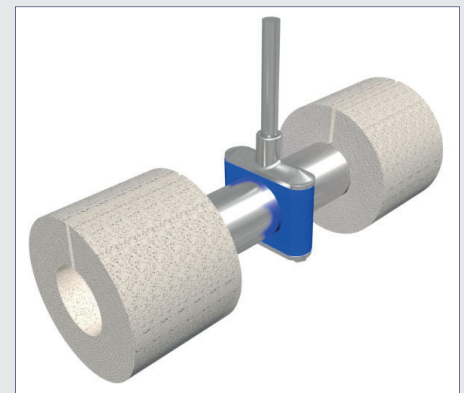
- Guides loose fit allow the line to freely expand and contract during thermal cycling, preventing undo stress to welds
- Hanger's threaded section is elongated, increasing the housings elevation adjustment aiding in slope alignment
- Insulation Envelope "IE": Reduced OD allows hanger to be buried under the insulation jacket
- 1.0" of insulation: 1/2" Tube (0.5") to 3" Copper (3.125")
- 1.5" of insulation: 3" Pipe (3.5") to 4" Pipe (4.50")
- 2.0" of insulation: 6" Tube (6.0") to 6" Pipe (6.625")
- There are no exposed threads or openings in hardware plates
- All plates are cleaned polished
- Hanger threads match MSS 69 rod OD requirement

Refer to www.syntirocorp.com or call Syntiro for most up to date information

ZERO PUDDLE INSERT

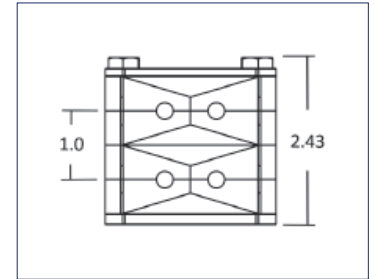
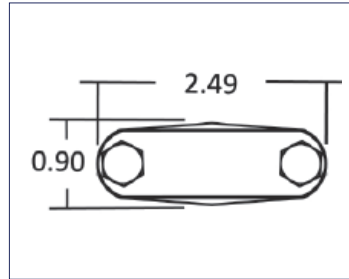
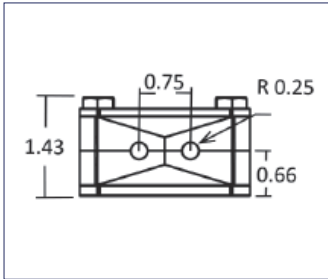


INSULATION ENVELOPE "IE"



INSTRUMENTATION LINE DUAL SUPPORT - CSDD

Offered in all CSD Series hardware mounting configurations

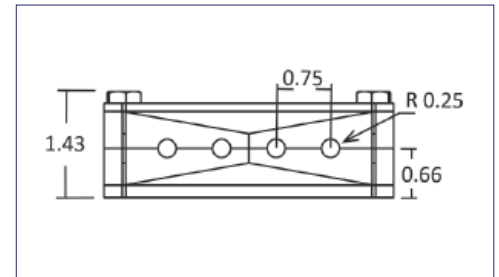
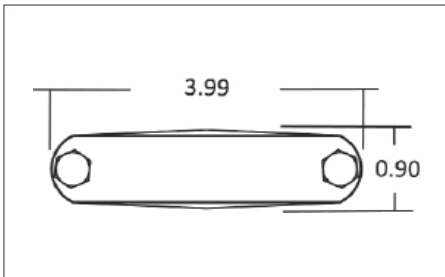


for 316 hardware substitute 304 with 316

Tube Size	Line OD	Part Number	Stack of 2 (up to 4)
1/4"	0.25	CSDWD0.25T2/304SA	CSDWD0.25T2/2/304SA

INSTRUMENTATION LINE QUAD SUPPORT - CSDQ

Offered in all CSD Series hardware mounting configurations



for 316 hardware substitute 304 with 316

Tube Size	Line OD	Part Number	Stack of 2 (up to 4, so /2/, /3/, and /4/)
1/4"	0.25	CSDWQ0.25T4/304SA	CSDWD0.25T2/2/304SA
Cable	0.33	CSDWQ0.33T4/304SA	CSDWD0.33T2/2/304SA
1/2"	0.50	CSDWQ0.50T4/304SA	CSDWD0.50T2/2/304SA

INSTRUMENTATION LINE PLUGS ILP's



Tube Size	Line OD	Part Number
1/4"	0.25	ILP025
Cable	0.33	ILP033
1/2"	0.50	ILP050