

APPLICATIONS:

- Cleanrooms and mechanical areas; not limited to: biotech, pharmaceutical, food processing, beverage, dairy, cosmetic, chemical, water treatment, and semi-conductor industries.
- Low flow & low pressure systems with moderate vibration: WFI, SIP, CIP, process, utility & instrument lines, WFI, SIP, CIP, process, utilities & instrument lines

SIZES:

- Support Range: 1/4" - 6" Tube and 1/2" - 6" Pipe

FEATURES:

- ZERO PUDDLE Silicones inserts raised geometry facilitates drainage of liquids on vertical/riser lines creating maintenance uptime.

MATERIALS:

- 304 and 316 stainless steels
- ZERO PUDDLE inserts are FDA grade silicone rubber

SPECIFICATIONS:

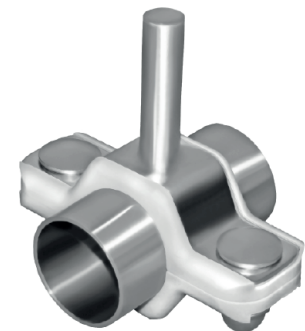
- Intermittent temperatures from -40F to 320F
- Continues temperatures from -20F to 302F - Contact Syntiro with continuous application's environmental details

BENEFITS:

- Drainable and Cleanable
- There are no exposed threads or openings in hardware plates
- Carriage bolts lock into Hardware Frame;s square hole allowing installer to use a single wrench
- The antiquated Entrapping Hex Hanger requires two wrenches, increasing safety concerns and installation time
- Carriage bolts are reversible, so rounded drainable surface is always on the hangers topside
- Hanger threads match MSS 69 rod OD requirements
- Silicone inserts are resistant to high and low temperatures

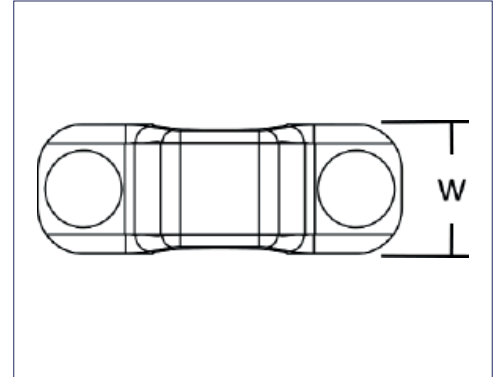
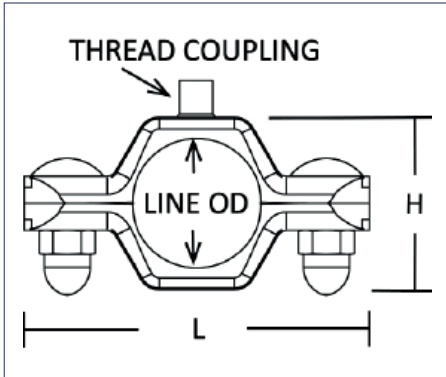
Refer to www.syntirocorp.com or call Syntiro for most up to date

ZERO PUDDLE INSERT



PROCESS HEX HANGER COUPLING - PHHC

FOR ATTACHMENT: Use Syntiro's Shielded Rod, solid rod with threaded end(s) or all thread rod



for 316 hardware substitute 304 with 316

Tube Size	Line OD	H	L	W	Round Coupling		Part Number w/ Acorn Nut	Part Number w/ Lock Nut *
					Height	Thread		
1/2"	0.50	1.15	2.80	1.10	0.47	3/8"-16	PHHC0.50T304AN	PHHC0.50T304LN
3/4"	0.75	1.15	2.80	1.10	0.47	3/8"-16	PHHC0.75T304AN	PHHC0.75T304LN
1"	1.00	1.45	3.00	1.10	0.47	3/8"-16	PHHC1.0T304AN	PHHC1.0T304LN
1 1/2"	1.50	1.96	4.00	1.42	0.47	3/8"-16	PHHC1.5T304AN	PHHC1.5T304LN
2"	2.00	2.50	4.60	1.42	0.47	3/8"-16	PHHC2.0T304AN	PHHC2.0T304LN
2 1/2"	2.50	4.00	5.10	1.42	0.59	1/2"-13	PHHC2.5T304AN	PHHC2.5T304LN
3"	3.00	3.50	5.60	1.42	0.59	1/2"-13	PHHC3.0T304AN	PHHC3.0T304LN
4"	4.00	4.55	6.75	1.42	0.59	1/2"-13	PHHC4.0T304AN	PHHC4.0T304LN
6"	6.00	6.29	9.25	1.42	0.88	3/4"-10	PHHC6.0T304AN	PHHC6.0T304LN
Pipe Size	Line OD	H	L	W	Round Coupling		Part Number w/ Acorn Nut	Part Number w/ Lock Nut *
					Height	Thread		
1/2"	0.840	1.45	3.00	1.10	0.47	3/8"-16	PHHC0.50P304AN	PHHC0.50P304LN
3/4"	1.050	1.45	3.00	1.10	0.47	3/8"-16	PHHC0.75P304AN	PHHC0.75P304LN
1"	1.315	1.96	4.00	1.42	0.47	3/8"-16	PHHC1.0P304AN	PHHC1.0P304LN
1 1/4"	1.660	2.50	4.60	1.42	0.47	3/8"-16	PHHC1.25P304AN	PHHC1.25P304LN
1 1/2"	1.900	2.50	4.60	1.42	0.47	3/8"-16	PHHC1.5P304AN	PHHC1.5P304LN
2"	2.375	3.00	5.10	1.42	0.59	1/2"-13	PHHC2.0P304AN	PHHC2.0P304LN
2 1/2"	2.875	3.50	5.60	1.42	0.59	1/2"-13	PHHC2.5P304AN	PHHC2.5P304LN
3"	3.500	4.13	6.33	1.42	0.59	1/2"-13	PHHC3.0P304AN	PHHC3.0P304LN
4"	4.500	5.12	7.52	1.42	0.59	1/2"-13	PHHC4.0P304AN	PHHC4.0P304LN
6"	6.625	7.20	9.25	1.74	0.88	3/4"-10	PHHC6.0P304AN	PHHC6.0P304LN

* Lock Nuts for lines with vibration