

### MOUNTING:

- Blindsided - Insulated Metal Panels IMP's, Square Tubes, Framing... use Jack Nut/rievet nut
- Openside - Gypsum Board, Beams, Plates, Cement... use backside backing plate with lock nuts

### APPLICATIONS:

- Cleanrooms and mechanical areas; not limited to: biotech, pharmaceutical, food processing, beverage, dairy, cosmetic, chemical, water treatment, and semi-conductor industries.
- Low flow & low pressure systems with moderate vibration: WFI, SIP, CIP, process, utility & instrument lines, WFI, SIP, CIP, process, utilities & instrument lines

### SIZES:

- Support Range: 1/4" - 3" Tube and 1/2" - 2" Pipe for Copper and PVC Coated Pipe and EMT Conduit contact Syntiro
- Tight fit Anchors and loose fit Guides are offered

### FEATURES:

- Bracket's Cups/Boots encase while a Silicone Rubber Gasket creates a seal over the Jack Nut/rievet nut
- Silicone Rubber Gasket creates a drainable and cleanable seal to surface
- Silicone Rubber Gasket eliminates the use of caulk. Caulk will breakdown/crack creating voids
- Jack Nut's tensile strengths are over 820 pounds
- ZERO PUDDLE Silicones inserts raised geometry facilitates drainage of liquids on vertical/riser lines creating maintenance uptime.
- There are no exposed threads or openings

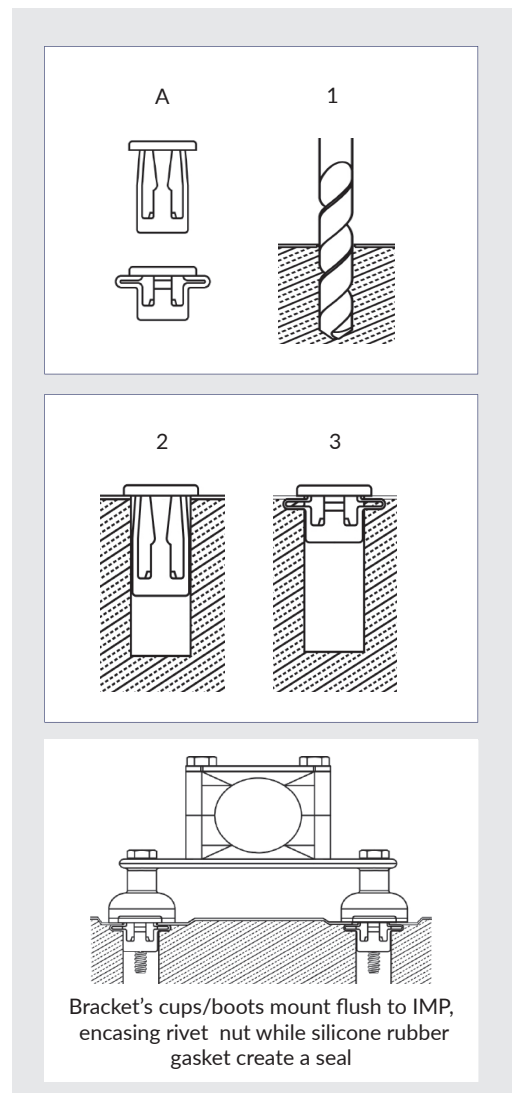
### MATERIALS:

- 316 stainless steels

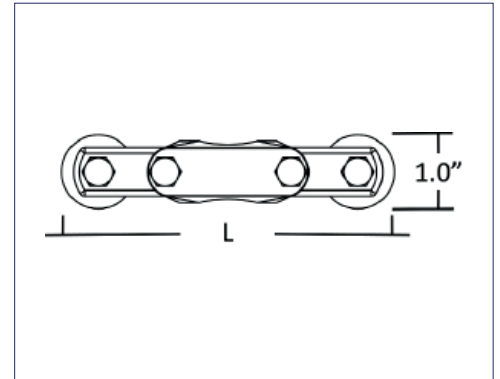
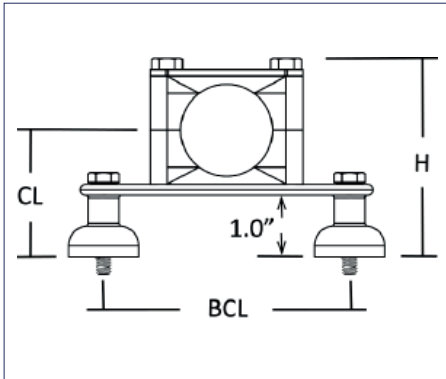
### GRAPHICS: A FEW MINUTES PROCESS

- Stock and actuated Rivet Nut
- Drill 7/16" hole into IMP
- Rivet nut placed in hole
- Rivet nut actuated and secured to IMP via \$30 MARSON, MJN-2 JACK NUT INSERT TOOL

Refer to [www.syntirocorp.com](http://www.syntirocorp.com) or call Syntiro for most up to date information



# ZERO CAULK BRACKET - ZCB



Tube Size	Line OD	H	L	W	CL	BCL	Part Number (anchor/tight fit)	Part Number (guide/loose fit)
1/4"	0.25	2.87	3.81	1.00	1.78	4.00	ZCB0.25T316ZP4.0	ZCB0.25T316ZG4.0
3/8"	0.38	2.87	4.77	1.00	1.88	4.00	ZCB0.38T316ZP4.0	ZCB0.38T316ZG4.0
1/2"	0.50	2.87	3.81	1.00	1.88	4.00	ZCB0.50T316ZP4.0	ZCB0.50T316ZG4.0
3/4"	0.75	2.87	4.77	1.00	1.88	4.00	ZCB0.75T316ZP4.0	ZCB0.75T316ZG4.0
1"	1.00	2.87	4.77	1.00	1.88	4.00	ZCB1.0T316ZP4.0	ZCB1.0T316ZG4.0
1 1/2"	1.50	3.37	4.19	1.00	2.13	3.19	ZCB1.5T316ZP	ZCB1.5T316ZG
1 1/2"	1.50	3.37	4.77	1.00	2.13	4.00	ZCB1.5T316ZP4.0	ZCB1.5T316ZG4.0
2"	2.00	3.89	4.44	1.00	2.38	3.44	ZCB2.0T316ZP	ZCB2.0T316ZG
2"	2.00	3.89	4.77	1.00	2.38	4.00	ZCB2.0T316ZP4.0	ZCB2.0T316ZG4.0
2 1/2"	2.50	4.39	4.48	1.00	2.58	4.50	ZCB2.5T316ZP	ZCB2.5T316ZG
3"	3.00	5.11	5.48	1.00	2.95	5.22	ZCB3.0T316ZP	ZCB3.0T316ZG
Pipe Size	Line OD	H	L	W	CL	BCL	Part Number (anchor/tight fit)	Part Number (guide/loose fit)
1/2"	0.840	2.87	4.77	1.00	1.875	4.00	ZCB0.50P316ZP4.0	ZCB0.50P316ZG4.0
3/4"	1.050	2.87	4.77	1.00	1.875	4.00	ZCB0.75P316A4.0	ZCB0.75P316ZG4.0
1"	1.315	3.37	4.19	1.00	2.125	3.19	ZCB1.0P316ZP	ZCB1.0P316ZG
1"	1.315	3.37	4.77	1.00	2.125	4.00	ZCB1.0P316ZP4.0	ZCB1.0P316ZG4.0
1 1/4"	1.660	3.89	4.44	1.00	2.375	3.44	ZCB1.25P316ZP	ZCB1.25P316ZG
1 1/4"	1.660	3.89	4.77	1.00	2.375	4.00	ZCB1.25P316ZP4.0	ZCB1.25P316ZG4.0
1 1/2"	1.900	3.89	4.44	1.00	2.375	3.44	ZCB1.5P316ZP	ZCB1.5P316ZG
1 1/2"	1.900	3.89	4.77	1.00	2.375	4.00	ZCB1.5P316ZP4.0	ZCB1.5P316ZG4.0
2"	2.375	4.39	4.48	1.00	2.575	4.50	ZCB2.0P316ZP	ZCB2.0P316ZG