

ZERO CAULK - ZC SERIES - ZCB BRACKET

Eliminates Caulk

MOUNTING:

- Blindside Walls - Insulated Metal Panels IMP's, Square Tubes, Framing... use Jack Nut/riquet nut
- Openside Walls - Cleanroom Wall Panels, Gypsum Board, Beams, Plates, Cement... use backside backing plate with lock nuts

APPLICATIONS:

- Cleanrooms and mechanical areas, including but not limited to the biotech, pharmaceutical, food processing, beverage, dairy, cosmetic, chemical, water treatment, and semiconductor industries.
- Low flow & low pressure systems with moderate vibration: WFI, SIP, CIP, process, utility & instrument lines, WFI, SIP, CIP, process, utilities & instrument lines

SIZES:

- Support Range: 1/4" - 3" Tube and 1/2" - 2" Pipe for Copper and PVC Coated Pipe and EMT Conduit contact Syntiro
- Tight fit Anchors and loose fit Guides are offered.

FEATURES:

- Silver ion's additive are blended in the FDA grade Silicone Rubber Gaskets, impeding bacterial, mold, and fungus from forming on the gasket.
- Silicone rubber plugs fill the ZCB's cups/boot interior as it creates a water tight seal to the mounting seal.
- Silicone Rubber Gasket creates a drainable and cleanable seal to the surface.
- Silicone Rubber Gasket eliminates the use of caulk. Caulk will break down/crack, creating voids.
- Jack Nut's tensile strength is over 820 pounds.
- ZERO PUDDLE Silicone inserts raised geometry facilitates drainage of liquids on vertical/riser lines, reducing downtime.
- There are no exposed threads or openings.

MATERIALS:

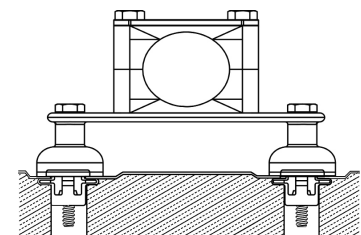
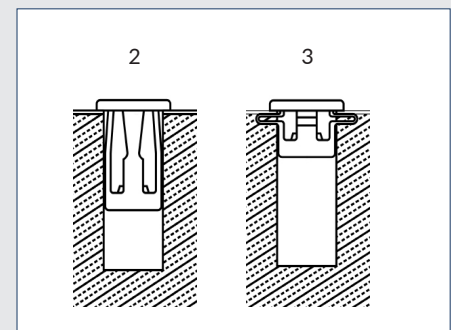
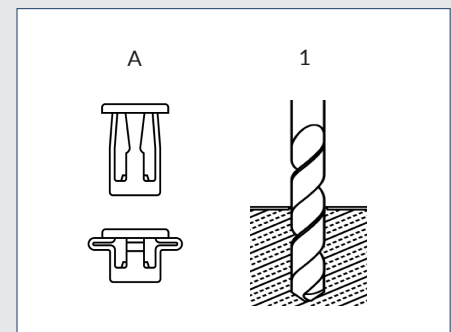
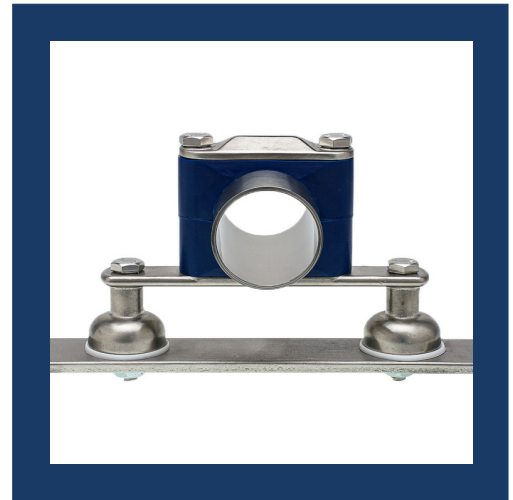
- 304 and 316 stainless steels,
- For 316, in part number, substitute 304 with 316

GRAPHICS: A FEW MINUTES PROCESS

A. Stock and actuated Rivet Nut

1. Drill 7/16" hole into IMP
2. Rivet nut placed in hole
3. Rivet nut actuated and secured to IMP

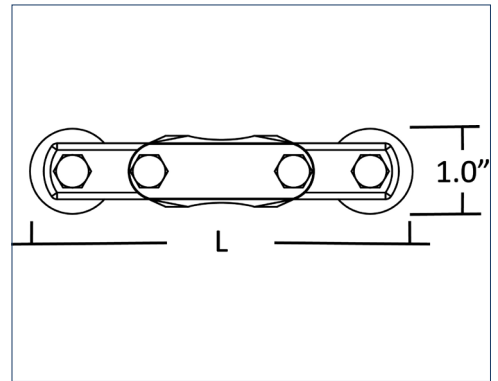
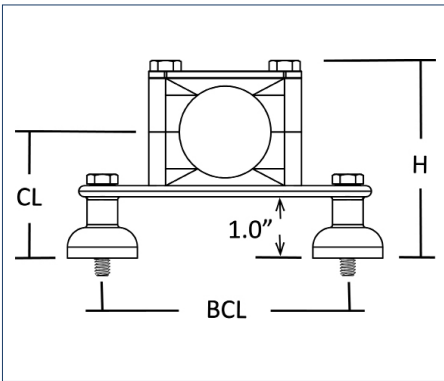
Recommended jack nut installation tool: MARSON, M39043 MJN-2



ZCB's silicone rubber plugs fill the cups/boots interior and creates a water-tight seal to the surface.

ZERO CAULK BRACKET - ZCB

Silicone rubber gasket seals to surfaces, no gaps



Tube Size	Line OD	H	L	W	CL	BCL	Part Number (anchor/tight fit)	Part Number (guide/loose fit)
1/4"	0.25	2.87	4.77	1.00	1.78	4.00	ZCB0.25T304ZP4.0	ZCB0.25T304ZG4.0
3/8"	0.38	2.87	4.77	1.00	1.88	4.00	ZCB0.38T304ZP4.0	ZCB0.38T304ZG4.0
1/2"	0.50	2.87	4.77	1.00	1.88	4.00	ZCB0.50T304ZP4.0	ZCB0.50T304ZG4.0
3/4"	0.75	2.87	4.77	1.00	1.88	4.00	ZCB0.75T304ZP4.0	ZCB0.75T304ZG4.0
1"	1.00	2.87	4.77	1.00	1.88	4.00	ZCB1.0T304ZP4.0	ZCB1.0T304ZG4.0
1 1/2"	1.50	3.37	4.77	1.00	2.13	4.00	ZCB1.5T304ZP4.0	ZCB1.5T304ZG4.0
2"	2.00	3.89	4.77	1.00	2.38	4.00	ZCB2.0T304ZP4.0	ZCB2.0T304ZG4.0
2 1/2"	2.50	4.39	4.48	1.00	2.58	4.50	ZCB2.5T304ZP	ZCB2.5T304ZG
3"	3.00	5.11	5.48	1.00	2.95	5.22	ZCB3.0T304ZP	ZCB3.0T304ZG
Pipe Size	Line OD	H	L	W	CL	BCL	Part Number (anchor/tight fit)	Part Number (guide/loose fit)
1/2"	0.840	2.87	4.77	1.00	1.875	4.00	ZCB0.50P304ZP4.0	ZCB0.50P304ZG4.0
3/4"	1.050	2.87	4.77	1.00	1.875	4.00	ZCB0.75P304ZP4.0	ZCB0.75P304ZG4.0
1"	1.315	3.37	4.77	1.00	2.125	4.00	ZCB1.0P304ZP4.0	ZCB1.0P304ZG4.0
1 1/4"	1.660	3.89	4.77	1.00	2.375	4.00	ZCB1.25P304ZP4.0	ZCB1.25P304ZG4.0
1 1/2"	1.900	3.89	4.77	1.00	2.375	4.00	ZCB1.5P304ZP4.0	ZCB1.5P304ZG4.0
2"	2.375	4.39	4.48	1.00	2.575	4.50	ZCB2.0P304ZP	ZCB2.0P304ZG

